



Air Shower Pass Box

Description:

Pass box is an auxiliary equipment of the clean room. It is mainly used for the transfer of small items between the clean area and the clean area or between the clean area and the non-clean area, so as to reduce openings in the clean room and reduce the pollution to the clean area.

Air shower pass box has blower fan and HEPA filter , which can remove the dust from the goods or materials, so it can more effectively prevent the convection of air inside and outside, and the transferred items enter the clean area after the blowing , which reduces the degree of contamination in the clean area and can effectively prevent the conveyed items from carrying dust. Particles enter the clean room.

Feature:

1. Material for casing: White powder coated steel for outside and stainless steel inside, or full stainless steel for main body.

Window: transparent acrylic sheet, which is transparent, light, non-fragile.

2. Lock type:mechanical interlocked or electric- magnetic interlocked.

3. Blower fan: AC380V/50H/3PH, 0.4KW

4. With 99.99% HEPA filter and G3 Primary filters

5. EVA gasket on the doors , which has good sealing, and avoiding to scratch the surface of steel, keep good appearance.

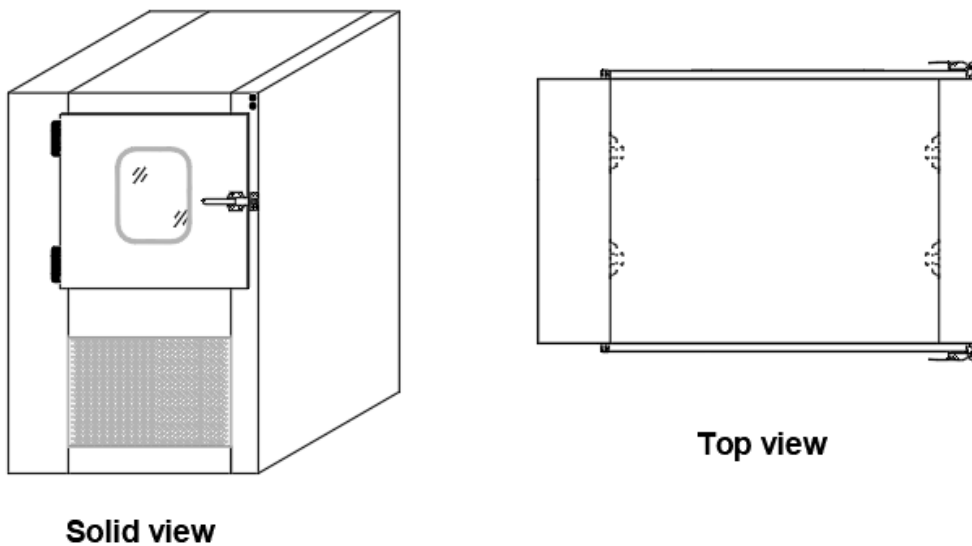
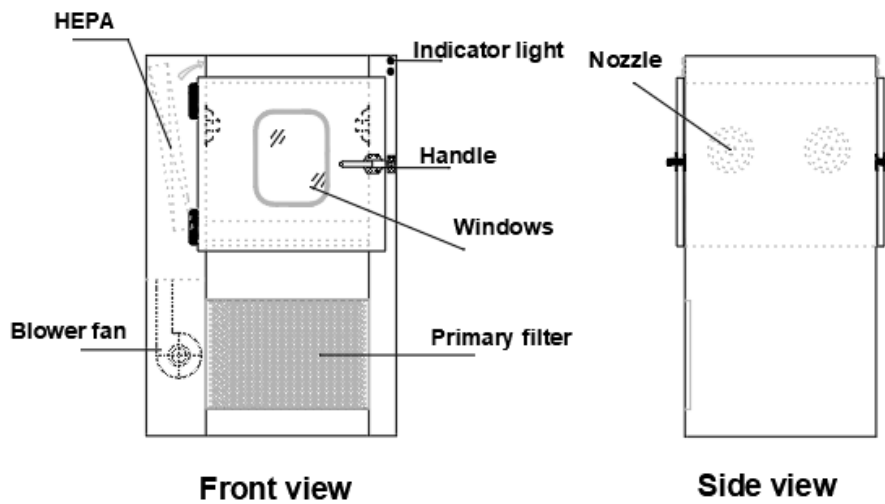
6. Control system: two doors interlocked, blowing automatically, and it is controlled by IC control panel.



Optional Accessory:

- Power coated steel or stainless steel
- mechanic interlocked or electric- magnetic interlocked.
- Indicator light for door opening state
- UV Sterilizer lamp
- Interphone

Drawing





Standard sizes and specifications:

Air shower pass box	ZS-FLP-1300	ZS-FLP-1400	ZS-FLP-1750
External size (W x D x H) mm	820x560x1300	920x660x1400	920x660x1750
Internal size (W x D x H) mm	500x500x600	600x600x600	600x600x600
Blower fan	1 set	1 set	1 set
HEPA filter size	400x400x69mm	495x495x69mm	495x495x69mm
HEPA filter's QTY	1 PCS	1PCS	PCS
HEPA filter's class	H13	H13	H13
Primary filter G3	1 PCS	1 PCS	1 PCS
Nozzle	4 PCS	4 PCS	4PCS
Wind speed	20-25M/S	20-25M/S	20-25M/S
Material	1. White powder coated steel for outside and stainless steel inside, or full stainless steel for main body. 2. Window: transparent acrylic sheet, which is transparent, light, non-fragile.		
Control system	Two doors are interlocked, automaticall blowing, can adjustabel show time 1-60s		
Power supply	AC380V/50HZ/3PH, or AC220V/50HZ/1PH		

Customized sizes can be accepted